



Features and Specifications: Carbon Steel

- NON-NTEP
- Low profile above ground
- 1,000 & 2,500 lbs.
- 1-1/2" nominal deck height
- 2' x 2' - 4' x 4' - Custom sizes upon request
- 1/4" carbon steel tread plate deck with live side rail design
- Side access FRP junction box, leveling foot adjustment holes in side rail
- Cross-Linked two-part Epoxy - 2 to 4 mil primer base coat
Two-part UV resistant Polyurethane - 2 to 4 mil top coat
- Plated alloy steel, 350 Ohms, 3.0mV/V
1K capacity: (4) 1,000 lb.
2.5K capacity: (4) 2,500 lb.
- B-TEK stainless steel ball encapsulated foot - 2.5" diameter base
- NEMA 4 fiberglass reinforced plastic (FRP) with signal trim summing board
- 3-Years on weighbridge steel structure,
2-Years on load cells, junction box and summing board

Features and Specifications: Stainless Steel

- NON-NTEP
- Low profile above ground
- 1,000 & 2,500 lbs.
- 1-1/2" nominal deck height
- 2' x 2' - 4' x 4' - Custom sizes upon request
- 1/4" 304 stainless steel **SMOOTH** deck with live side rail design
- Side access FRP junction box, leveling foot adjustment holes in side rail
- All exposed surfaces are sand blasted to a clean, consistent appearance
- Stainless steel (IP67), 350 Ohms, 3.0mV/V
1K capacity: (4) 1,000 lb.
2.5K capacity: (4) 2,500 lb.
- B-TEK stainless steel ball encapsulated foot - 2.5" diameter base
- NEMA 4 fiberglass reinforced plastic (FRP) with signal trim summing board
- 3-Years on weighbridge steel structure,
2-Years on load cells, junction box and summing board



DRUM FLOOR SCALES

ISO 9001 REGISTERED

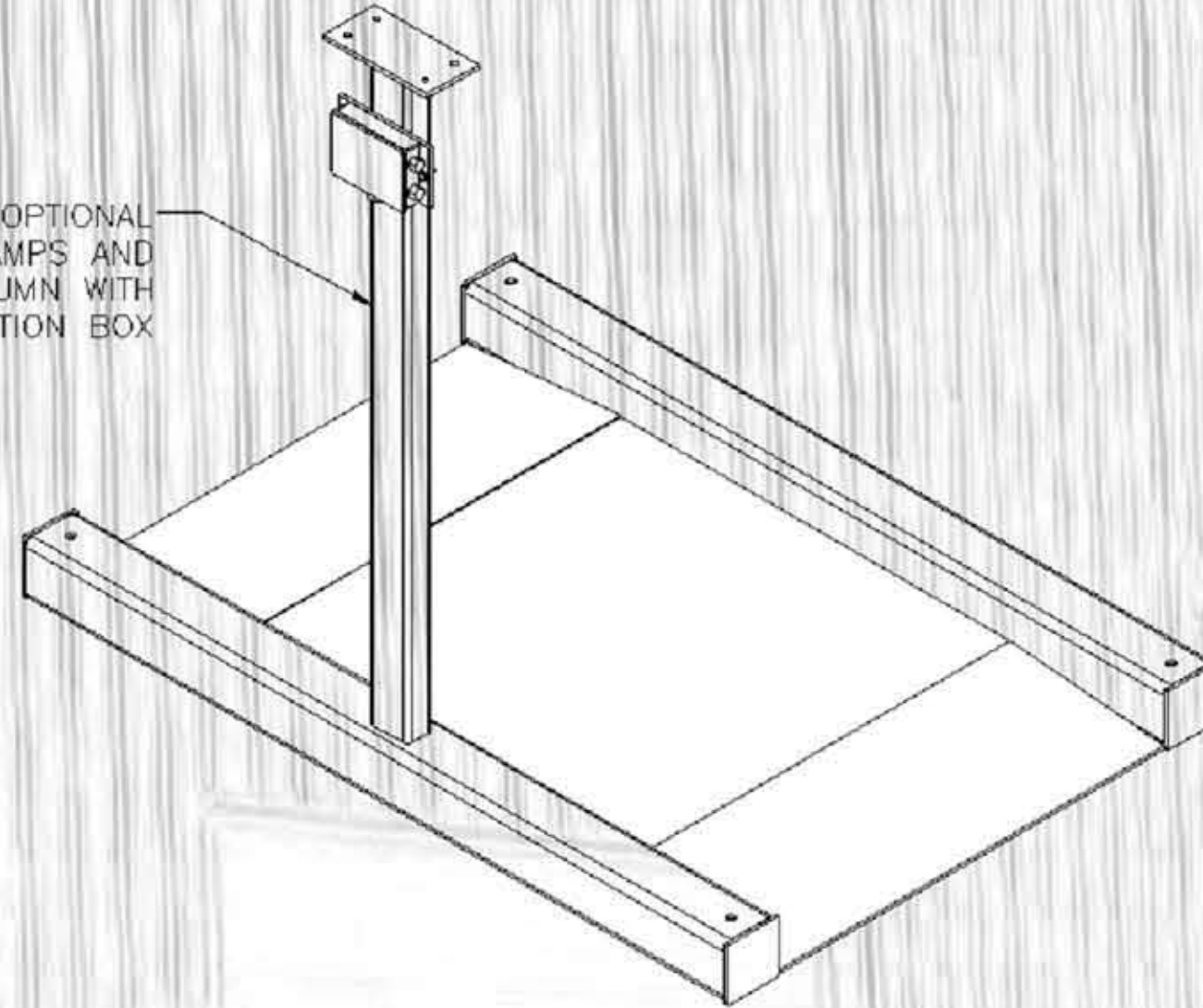


The B-TEK Drum Scale is designed for long life and ease of use in tough environments. The low profile (1.5") deck height reduces the effort required to move heavy loads on and off the platform. The all welded, structural steel assembly will withstand the ravages of constant use. B-TEK also offers an optional wheel kit to make the platform portable.

Stainless Steel

- Low profile 1.5" deck height
- Capacities from 500 lbs. to 5,000 lbs.
- Platform sizes from 2' x 2' to 4' x 4'
- Stainless steel construction
- Smooth deck plate
- Side Access FRP Junction Box
- Plated Steel alloy load cells
- Optionally available with T103S indicator

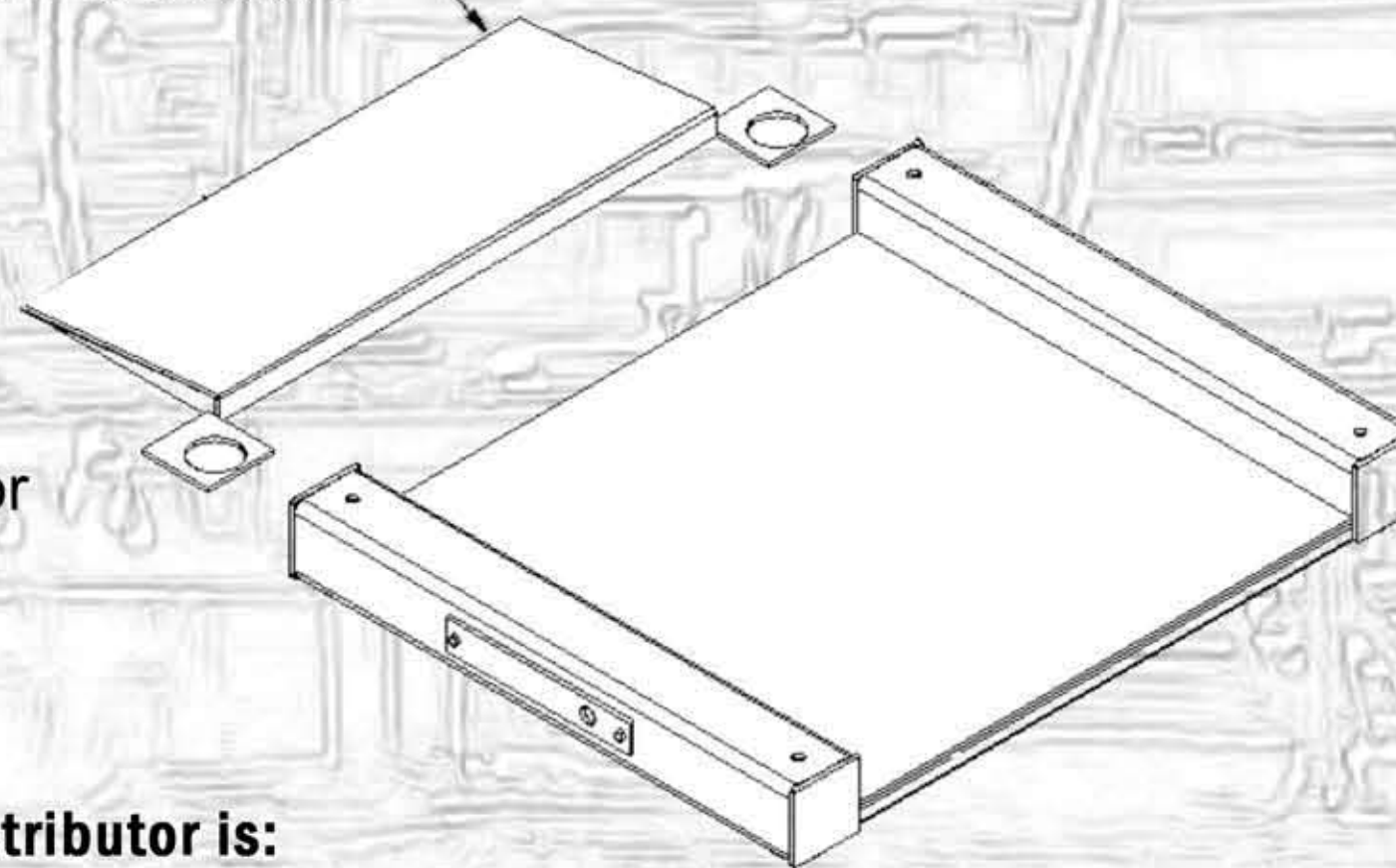
SHOWN WITH OPTIONAL INTEGRAL RAMPS AND INTEGRAL COLUMN WITH JUNCTION BOX



Carbon Steel

- Low profile 1.5" deck height
- Capacities from 500 lbs. to 5,000 lbs.
- Platform sizes from 2' x 2' to 4' x 4'
- Painted carbon steel construction
- Optionally available with T103S Indicator

OPTIONAL DETACHABLE RAMP, 12" LENGTH IS STANDARD



EXPERIENCE. B-TEK Scales has a proud history that reaches back further than its 1994 inception. With multi-generational trade experience, the B-TEK team brings over 75 years of industry know-how to the table. That long-term knowledge of the weighing industry enables B-TEK Scales to focus on bringing new and innovative solutions to our truck scale customers.

TECHNOLOGY. In 2003, to continually improve the technology B-TEK Scales offers its customers, B-TEK announce a joint venture with the Bilanciai Group of Modena, Italy. Bilanciai Group manufactures more than 2,200 motor truck scales per year, worldwide. Bilanciai Group's advanced manufacturing techniques and scale technologies, in conjunction with B-TEK Scales' outstanding truck scale product lines, yields many advantages that B-TEK's competitors can't offer. The B-TEK and Bilanciai Group joint venture is headquartered in Canton, Ohio USA.

EXTENSIVE PRODUCT LINE. B-TEK Scales offers an extensive line of eight styles of motor truck scales spanning across all industry applications. From agricultural to industrial steel, coal and aggregate applications, B-TEK Scales offers a variety of scale solutions for a wide range of budgets and requirements. B-TEK Scales has the ability to manufacture full electronic digital, analog and electro-mechanical motor truck scales.

CUSTOMIZATION. B-TEK is proud to be known for its ability to manufacture custom scale platforms. From non-standard sizes to retrofitted components, B-TEK's commitment to quality and service will deliver a product that fits seamlessly within our customers' current configurations.

Your B-TEK distributor is:

AC WILLIAMS SCALE CO., LLC
ACWSALE.COM

34 Pequet Parkway
 Tonawanda, New York 14150
 1-716-694-6975
 sales@acwscale.com
 www.acwscale.com



1510 Metric Ave SW Canton, OH 44706
Phone: 330.471.8900 Toll Free: 800.266.8900
Fax: 330.471.8909 WWW.B-TEK.COM