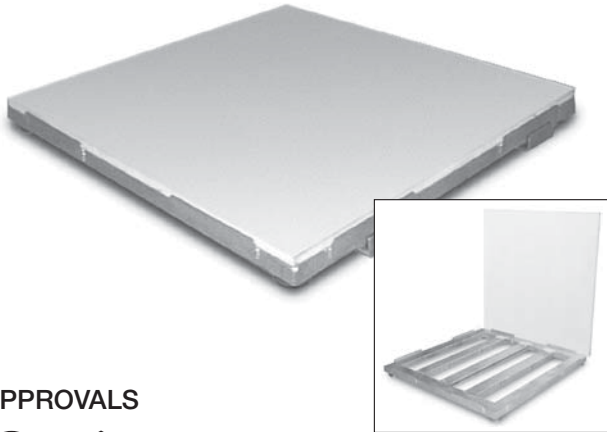


RoughDeck® SD

Sanitary Deck Floor Scale



APPROVALS



STANDARD FEATURES

- Rugged washdown design
- 304 stainless steel construction
- Rigid stainless steel tube frame
- Four stainless steel, welded seal, shear beam load cells
- Load cells protected on all four sides
- 20 ft (6 m) of SURVIVOR® EL147HE hostile environment load cell cable
- Remote TuffSeal® JB4SS stainless steel NEMA 4X j-box
- Four adjustable stainless steel SUREFOOT™ support feet
- Removable polyethylene deck (Deck weight: 80lb (36.6kg) on 4 ft x 4 ft size)
- Side brackets to hold deck during washdown
- Two-year limited warranty

Important NOTE: Applications where oily substances may be spilled could cause the deck to become slippery – caution should be used. The RoughDeck QC is recommended in these instances.

SPECIFICATIONS

END LOAD CAPACITY:

100% full scale at 2,000lb & 5,000lb
80% full scale at 10,000lb

CABLE LENGTH:

20 ft (6.1 m) (for connecting j-box to indicator)

REMOTE JUNCTION BOX:

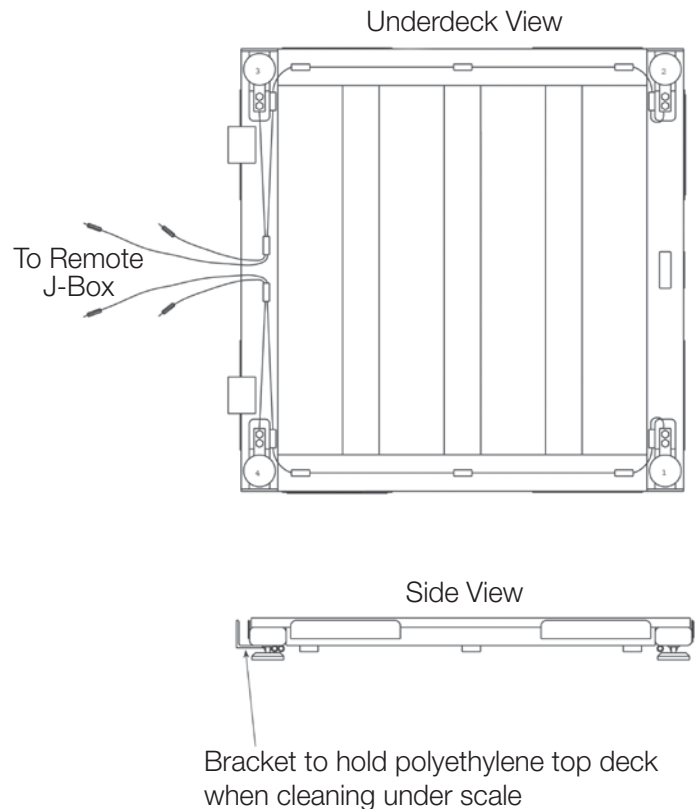
Stainless steel enclosure can be located up to 10 ft away from scale

APPROVALS:

NTEP Certified per H-44, Class III 5000d; CC# 92-001A5

WARRANTY:

Two-year limited warranty



RoughDeck® SD

Sanitary Deck Floor Scale

PART #	SIZE (W x L x H)	CAPACITY	EST. SHIP WEIGHT	PRICE
50385	2.5 ft x 2.5 ft x 4.4 in	2,000 lb	158 lb	Consult factory
50386	3 ft x 3 ft x 4.4 in	2,000 lb	208 lb	Consult factory
50387	4 ft x 4 ft x 4.4 in	2,000 lb	338 lb	Consult factory
50388	4 ft x 4 ft x 4.4 in	5,000 lb	338 lb	Consult factory
50389	4 ft x 4 ft x 5.4 in	10,000 lb	447 lb	Consult factory
50390	4 ft x 5 ft x 4.4 in	2,000 lb	406 lb	Consult factory
50391	4 ft x 5 ft x 5.4 in	5,000 lb	406 lb	Consult factory
50392	4 ft x 5 ft x 5.4 in	10,000 lb	540 lb	Consult factory
50393	4 ft x 6 ft x 5.4 in	2,000 lb	477 lb	Consult factory
50394	4 ft x 6 ft x 5.4 in	5,000 lb	477 lb	Consult factory
50395	4 ft x 6 ft x 6.4 in	10,000 lb	637 lb	Consult factory
50396*	5 ft x 5 ft x 5.4 in	2,000 lb	478 lb	Consult factory
50397*	5 ft x 5 ft x 5.4 in	5,000 lb	478 lb	Consult factory
50398*	5 ft x 5 ft x 5.4 in	10,000 lb	637 lb	Consult factory
50399*	5 ft x 7 ft x 6.4 in	2,000 lb	705 lb	Consult factory
50400*	5 ft x 7 ft x 6.4 in	5,000 lb	705 lb	Consult factory
50401*	5 ft x 7 ft x 6.4 in	10,000 lb	908 lb	Consult factory

* Constructed of two pieces of polyethylene to make up the top deck.

OPTIONS/ACCESSORIES

28740.....RoughDeck floor stand for indicator, 36.3in high, stainless steel Consult factory
 Consult factory for these additional options

- Access ramps
- Pit frames